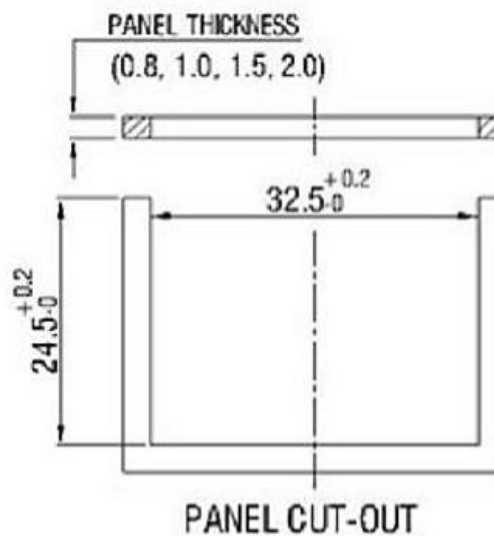
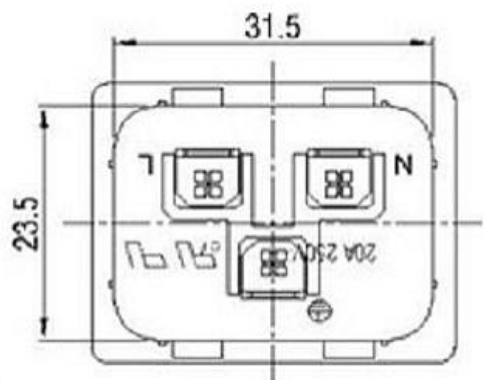
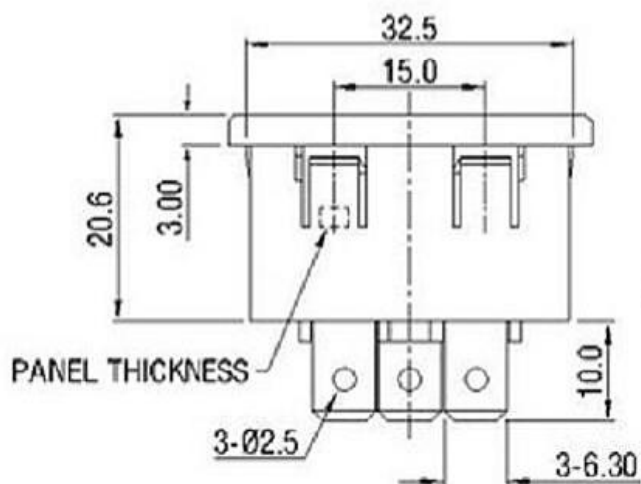


SECTION A-A



PANEL CUT-OUT

SPEC:

A. Material:

1. Housing: PA66
2. Terminal: COPPER ALLOY, TIN PLATED

B. Electrical Characteristics:

1. Rating: 20A 250V~ (UL, CUL)
16A 250V~ (CCC, ENEC)
2. Electric Strength: AC 2,000 V FOR ONE MINUTE
3. Insulation Resistance: 100MΩ MIN, AT 500V DC

C. Approvals:

UL, CUL, CCC, ENEC

PART NO.:	DIM. X
ST-A06-001K-WW(0.8.HP)	0.9
ST-A06-001K-WW(1.0.HP)	1.1
ST-A06-001K-WW(1.5.HP)	1.6
ST-A06-001K-WW(2.0.HP)	2.1

普通公差

COMMON TOLERANCE :

UP TO 5	±0.20
ABOVE 5 TO 30	±0.30
ABOVE 30	±0.50
ANGULAR	±5°



东莞市高迪电子有限公司

REV.	DATE	REVISION DESCRIPTION	ISSUE	单位 UNIT	mm	投影 PROJECTED	品名 PRODUCT NAME
				绘图 DRAWN BY	林晓良	核对 CHECKED BY	AC POWER JACK
				日期 DATE	19. 08. 12	核准 APPROVAL BY	型号 MODEL NO.
							料号 PART NO.

KD-AC电源插座